

TWIN STAR

forged steel ball valves



PED 97/23 EC

CE
0038

Certificate N° : RPS 0160304/01

ATEX 94/9 CE



Tech. File N° ST01 ATEX



6D-0233

WHY USING A DBB VALVE?

With the increasing demand of safety the need of extra security double isolation for instrument take-off has become more and more an issue.

Industry has become more conscious on COSTS and SPACE, thus the need of a compact design DOUBLE BLOCK and BLEED valve.

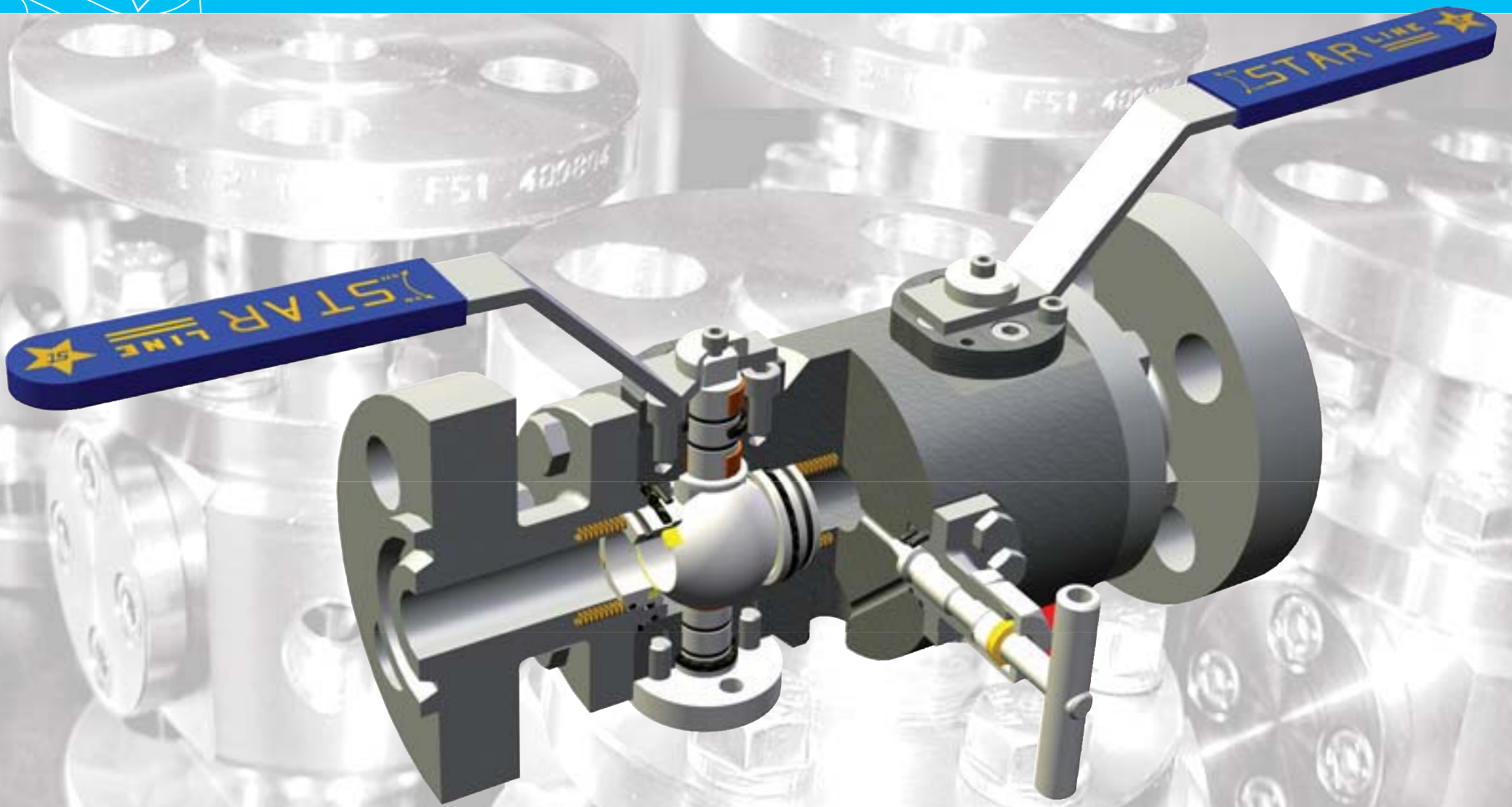
The main application for this design has always concentrated on instrument take-off but recently, the technology developments have led to various important applications such as VENT/DRAINS – SAMPLING – BLOWDOWN POINTS – CHEMICAL INJECTION and IN -LINE PROCESS ISOLATION – SECURITY VALVES ON HYDRAULIC SYSTEMS.



Trunnion mounted multiport twin ball valves supplied as safety valve on high pressure hydraulic system.

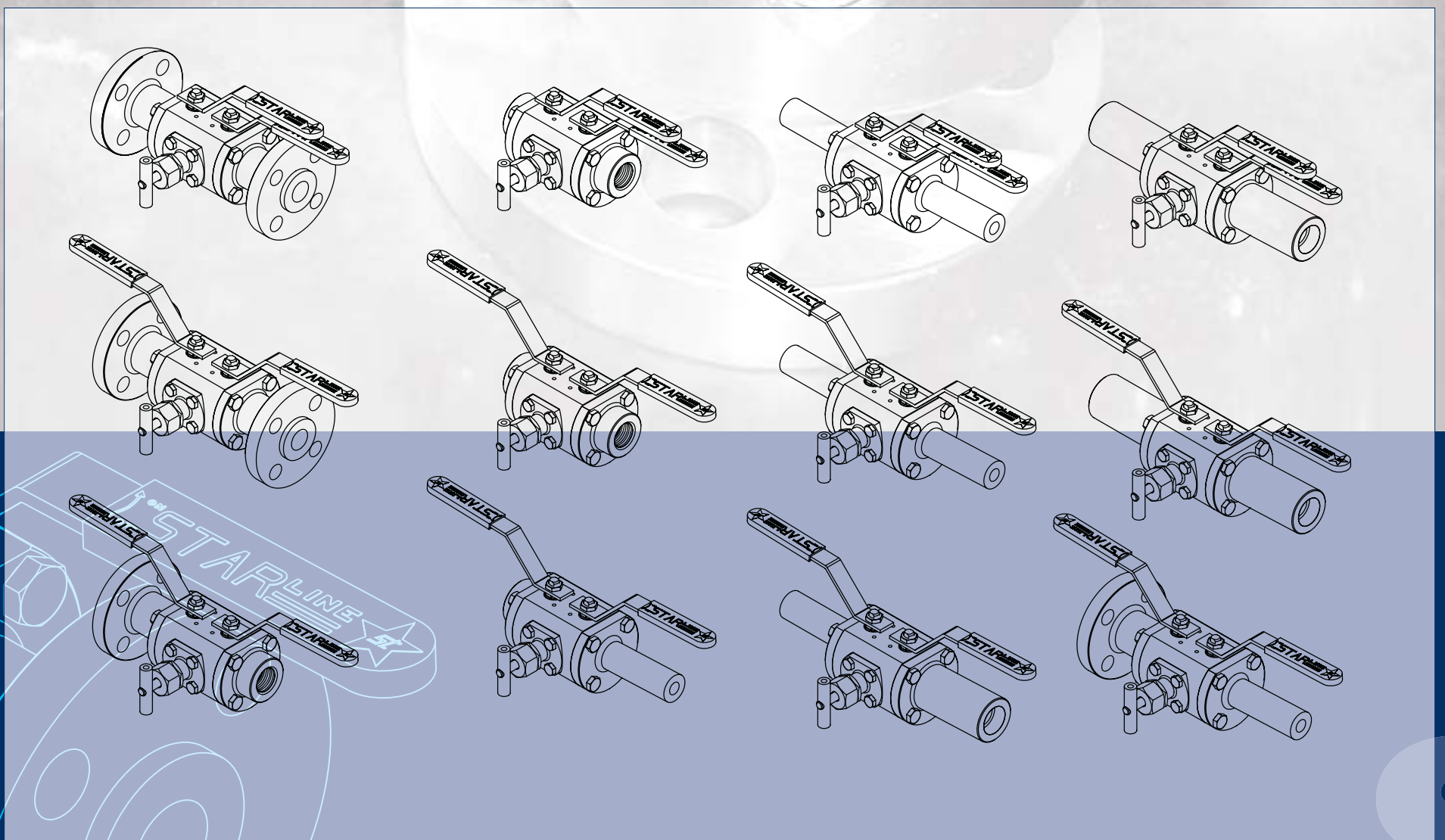


Set of trunnion mounted twin valves supplied for a skid of DALIA Project.



VERSATILITY

Starline TWIN STAR ball valves have been designed in such a way that most of the components are fully interchangeable with all the other Starline ball valves. This gives a tremendous advantage in flexibility. Valves can be assembled in every possible combination of lever position, end connection, seat construction and seal materials.



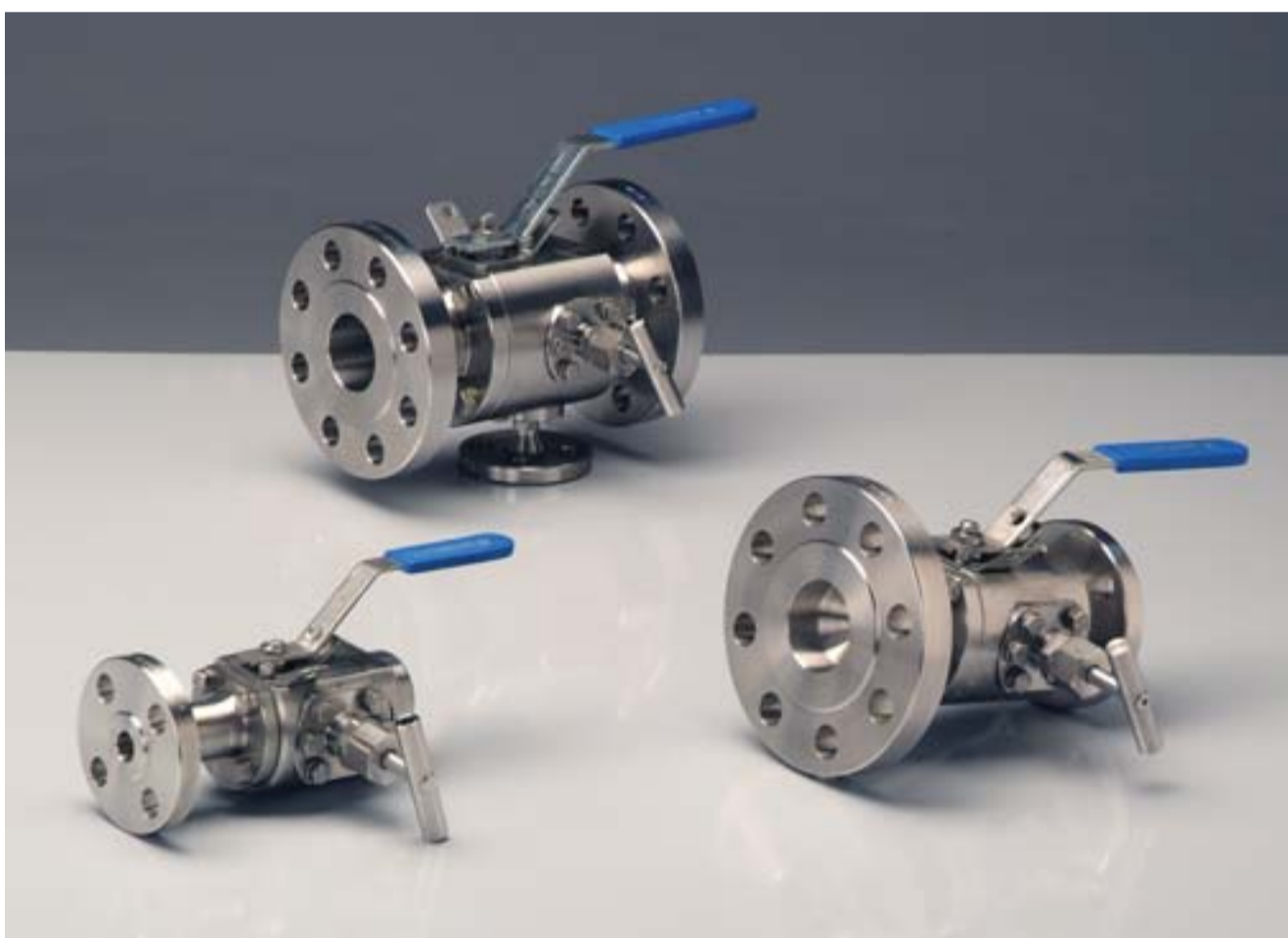
DESCRIPTION

Typical size range: DN 08 to DN 150 - ¼" to 6"
Class Rating: PN 10 to PN 420 – CLASS 150 to 2500
End connection: Flanged – threaded – welding ends – special hubs
Materials: Carbon steel, stainless steel and any special Alloy material.
Construction : Bolted construction for easy maintenance on line
Needle valve: bolted inside screw high pressure construction

**FLOATING BALL - TRUNNION MOUNTED - SOFT SEATED
METAL SEATED - MULTI-PORT STYLE (3 BALLS)**

SINGLE BLOCK AND BLEED

(sampling – inflate – instrumentation and chemical injection points)



DOUBLE BLOCK AND BLEED

(Double isolating ball valves, real safety valve for maintenance on line both upstream and downstream - chemical injection - high pressure instrument connections - vent and drain)



MAIN FEATURES



HIGH PRESSURE NEEDLE VALVE

Fire safe solid needle valve. Bolted bonnet for a better on line maintenance.

Inside screw for a major protection from external corrosive agents.

Needle valve can also be replaced by a ball valve obtaining a proper multiport 3 balls style valve.



VALUABLE DESIGN

Starline DBB design is fully in accordance with all the main international standards and has been approved by some of the major leading companies in the world. Bolted construction allows an easy maintenance and major design flexibility, valves assembly can be modified in different ways. Starline also welcomes Customers to advise their needs of special design and has often modified the valves according to specific service indications.



FIRE SAFE VALVES

In case of fire, valves guarantee the metal to metal tightness to reduce leakage when seats are melted, graphite body seals and stem packing ensure that also external leakage is under control until fire is extinguished.

STANDARDIZED ISO 5211 TOP MOUNTING

Easy mounting of actuators on any part of the valve in any possible position – even on bleed valve.

MAJOR REFERENCES

- ABB LUMMUS GLOBAL - KHUFF GAS PROJECT
- TOTAL INDONESIE
- SAMSUNG/DAEWOO - TOTAL DALIA FPSO PROJECT
- CORUS/HOOGO VENS - HIGH PRESSURE HYDRAULIC SYSTEM
- NISCONI - TOTAL INDONESIE - SISI NUBI PROJECT
- MC DERMOTT - TOTAL – DOLPHIN PROJECT OFFSHORE PLATFORMS

SALES ORGANIZATION



MAIN DISTRIBUTORS

Norway, Sweden, Denmark, Netherlands,
Belgium, Switzerland, Austria, Greece,
Brasil, Usa, Canada, Australia, New Zeland, South Africa,
UAE, Czech Republic, Slovakia, Poland
Singapore, Romania, Oman, Saudi Arabia, Kuwait

STARLINE S.p.A.

Via F. Baracca, 30 - 24060 S. PAOLO D'ARGON (Bergamo) ITALY
Phone: + 39 035/958041/958102 - Fax: + 39 035/958413
<http://www.starline.it> - e-mail: starline@starline.it

STARLINE Armaturen GmbH
Adam - Opel - Strasse, 11
D-64569 Nauheim
Phone: +49 (0) 6152 987 655
Fax: +49 (0) 6152 987 656
e-mail: info@starline-armaturen.de
<http://www.starline-armaturen.de>

STARLINE BALL VALVES LTD
Telfor Way
Stephenson Ind. Est.
Coalville Leicestershire LE67 3HE
Phone: +44 1530 815 818
Fax: +44 1530 815 819
e-mail: Starline@acvalvealliance.com
<http://www.acvalvealliance.com>

STARLINE FRANCE
7, Parc d'Activites
de la Verdierie
13880 VELAUX - France
Phone: +33 442878400
Fax: +33 442878404
e-mail: infos@star-line.fr
<http://www.star-line.fr>

STARLINE IBERICA S.A.
C/Rec Del Molinar, 9
Poligono Industrial El Circuit
E - 08160 Montmeló (Barcelona) - España
Phone: +34 93 579 93 70
Fax.: +34 93 579 92 44
e-mail: starline@starline.es
<http://www.starline.es>

STARLINE VALVES OY
Martinkylantie, 39
Fin - 01720 Vantaa
Finland
Phone: +35 898787711
Fax: +35 898787221
e-mail: starline@starline.fi
<http://www.starline.fi>