

**GENERAL FEATURE**

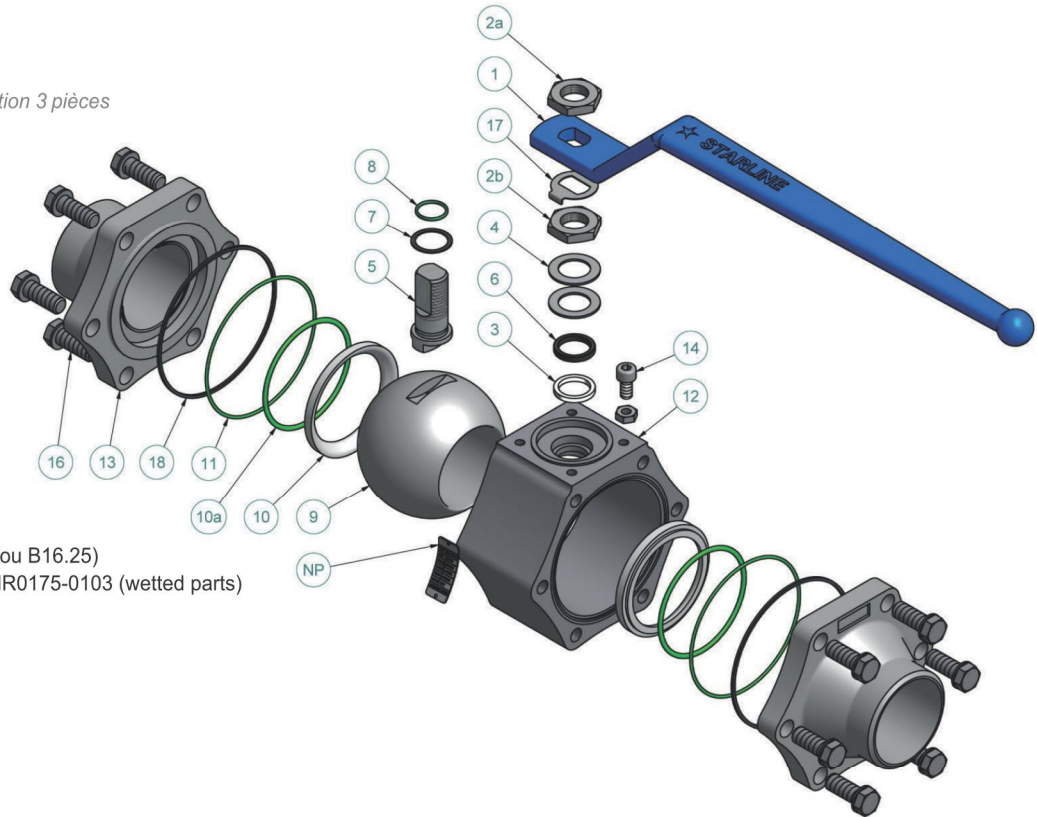
Floating ball / *Boisseau flottant*  
3 pieces Construction / *Construction 3 pièces*  
Reduced bore / *Passage réduit*  
Soft seat / *Siège souple*  
Bidirectional  
TA-LUFT  
Anti Blow out proof stem.  
Autoadjustable packing.  
Anti static device.  
Self-cavity relief

**STANDARDS**

Marking : MSS SP25  
Top flange ISO 5211  
Testing API 598, Rate A  
Design : selon B16-34  
SW Connections : ASME B16.11  
BW Connections : ASME B16.5 (ou B16.25)  
MATERIAL : ASTM and NACE MR0175-0103 (wetted parts)

**OFFICIAL APPROVALS**

CERTIFICATE FIRE SAFE  
ISO 15848 RATE B  
ATEX 94-9EC  
PED Module H CAT III  
SIL 3  
EN 161/EN 264



ITEM NO	QTY	PART NAME	NOMENCLATURE	CARBON STEEL MATERIAL 215 SGSG-CL600	STAINLESS STEEL MATERIAL 216 SGSG-CL600
NP	1	Name plate	Plaque d'indentification	AISI 316	AISI 316
1	1	Handle	Levier	Carbon steel + Epoxy coated <sup>Note1</sup>	Carbon steel + Epoxy coated <sup>Note1</sup>
2a	2	Handle nut	Ecrou levier	AISI 316	AISI 316
2b					
3	2	Packing ring	Garniture	Graphite	Graphite
4	2	Spring washers	Rondelle ressort	AISI 316 Treated	AISI 316 Treated
5	1	Antistatic stem	Tige antistatique	AISI 316/316L Dual Certified	AISI 316/316L Dual Certified
6	1	Gland packing	Fouloir	AISI 316	AISI 316
7	1	Thrust washer	Rondelle butée	PTFE	PTFE
8	1	"O" ring stem	Joint torique	Viton	Viton
9	1	Ball	Sphère	AISI 316/316L Dual Certified	AISI 316/316L Dual Certified
10	2	Seats	Sièges	"RPTFE"	"RPTFE"
10a	2	Seats gasket	Joint de sièges	Viton	Viton
11	2	1° Body seals	1° Joint de corps	"RPTFE"	"RPTFE"
12	1	Body	Corps	LF2	AISI 316/316L Dual Certified
13	2	End connections	Embout	LF2	AISI 316/316L Dual Certified
14	1	Stop-pin	Butée	AISI 316	AISI 316
16	12	Bolts	Vis	L7 + Zinc Plated	B8
17	1 <sup>Note2</sup>	Stop washer	Rondelle frein	AISI 316	AISI 316
18	2	2° Body seals	2° Joint de corps	Graphite	Graphite

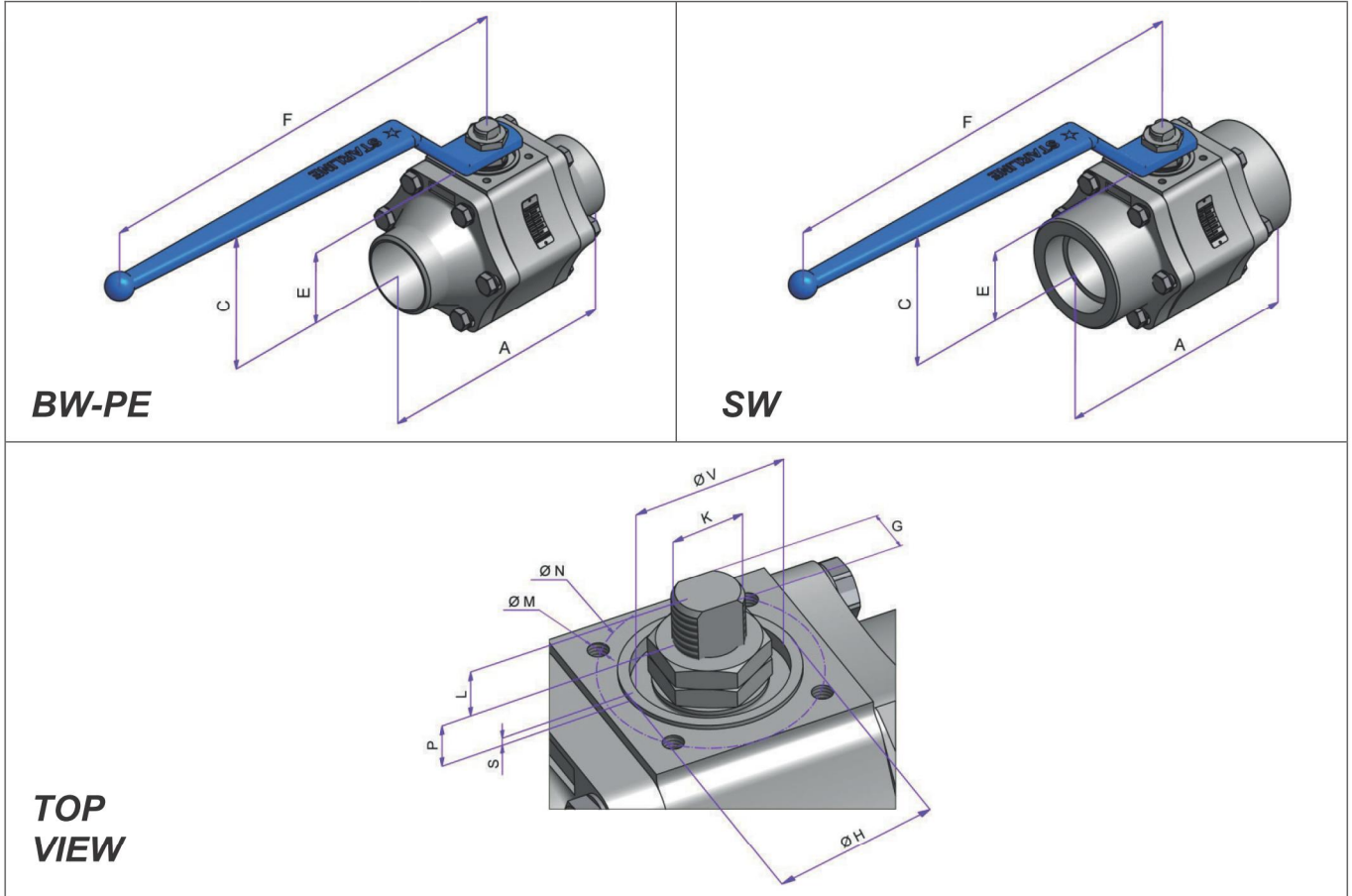
Note 1: Carbon Steel + Plastic for DN65 - 2.1/2"

Note 2: Qty 0 for DN 65 - 2.1/2"

**SUPER STAR N°1**  
FLOATING BALL VALVE

CLASS 600 - DN65-80 RB - "2.1/2 - 3" RB  
Fig: 215SGS / 216SGS

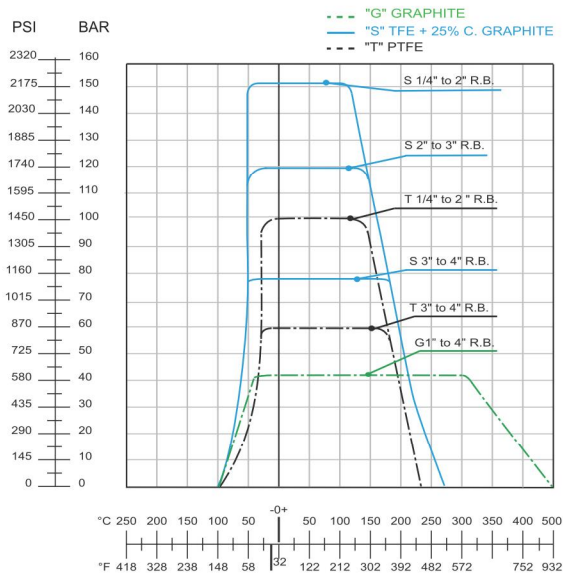
RACCORDEMENT **A SOUDER**  
**WELDING ENDS**



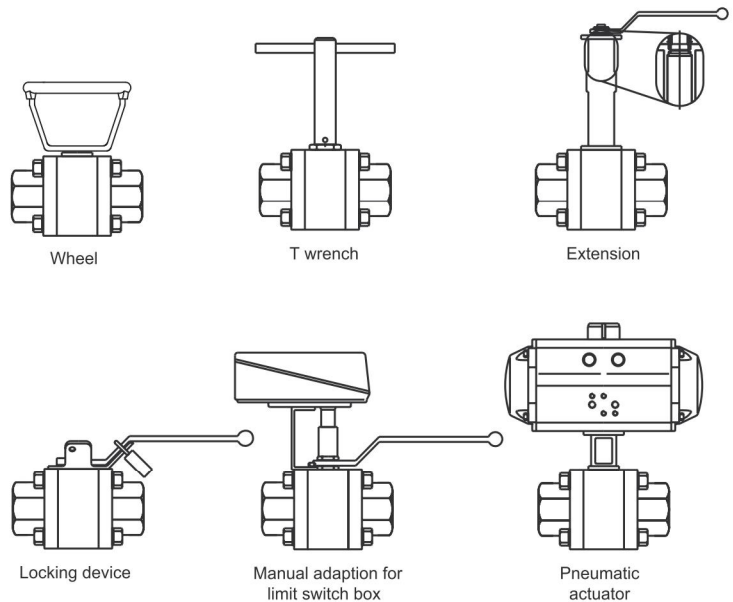
REDUCED BORE								TOP MOUNTING								ISO 5211	TORQUE [N.m]	MAST [N.m]	
VALVE SIZE		DIMENSION [ mm ]						WEIGHT [ kg ]		DIMENSIONS [ mm ]									
NPS	DN	A	BORE	C	E	F	BW-PE-SW	L	P	S	V	K	G	H	N	M			
2.1/2" x 2"	65 x 50	191	49	122	58.7	218	7.5	12.5	12.5	1.5	30	M15x1.5	8.9	35	50	M6x10	F05	80	180
3" x 2.1/2"	80 x 65	210	62	136	70	420	13	17	18	1.5	48	M22x1.5	16	55	70	M8x12	F07	103	386

- Net torque measured with clean water at ambient temperature - Mast for AISI 316 material

**PRESSURE/TEMPERATURE LIMITATION OF SEAT SEAL (according working conditions)**



**DIFFERENT CONFIGURATIONS (others on request)**



star-line.fr - infos@star-line.fr - +33 4 42 87 84 00  
ref n° DS1130 Rev0 (datas not contractual)