

GENERAL FEATURE

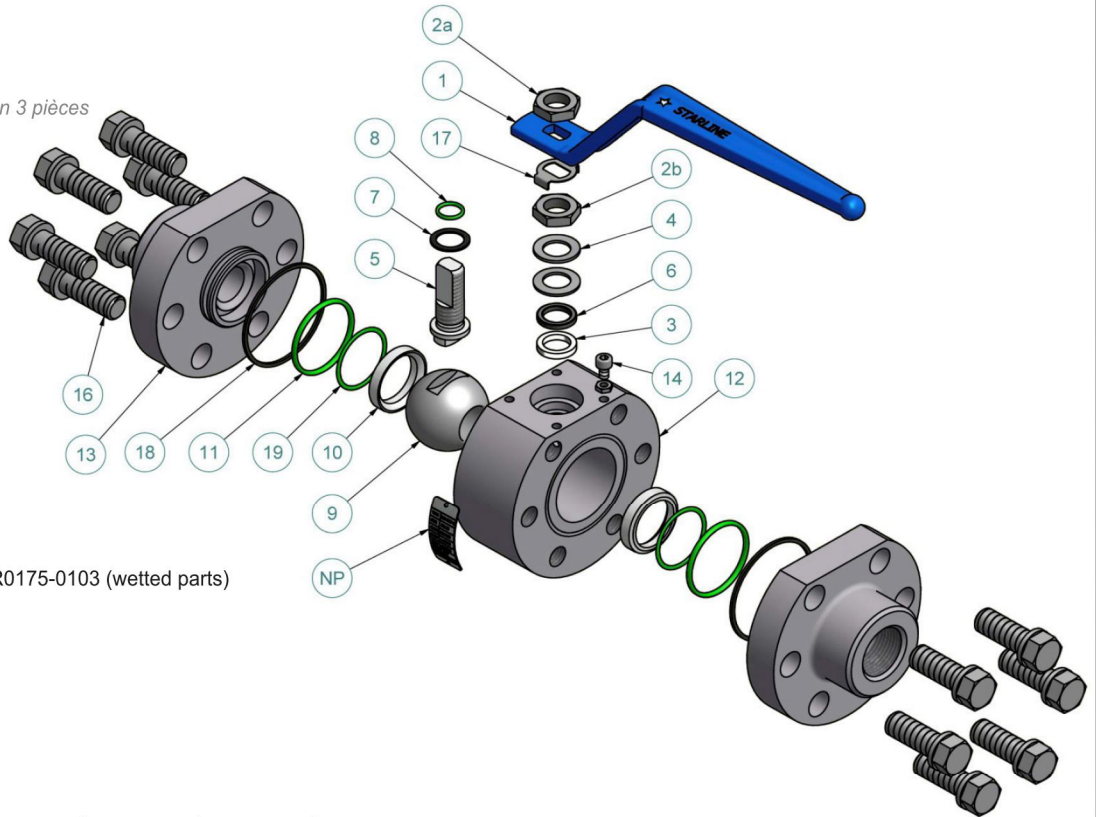
Floating ball / Boisseau flottant
3 pieces construction / Construction 3 pièces
Full bore / Passage intégral
Soft seat / Siège souple
Bidirectional
TA-LUFT
Anti Blow out proof stem
Autoadjustable packing
Anti static device
Self-cavity relief

STANDARDS

Marking : MSS SP25
Top flange ISO 5211
Testing API 598, Rate A
Design : selon B16-34
NPT Connections : ASME B1.20.1
BSPP Connections : ISO 228/1
BSPT Connections : ISO 7/1
MATERIAL : ASTM and NACE MR0175-0103 (wetted parts)

OFFICIAL APPROVALS

FIRE SAFE
ISO 15848 RATE B
ATEX IM2 / II 2 GD
PED Module H CAT III
SIL 3
EN 161/EN 264



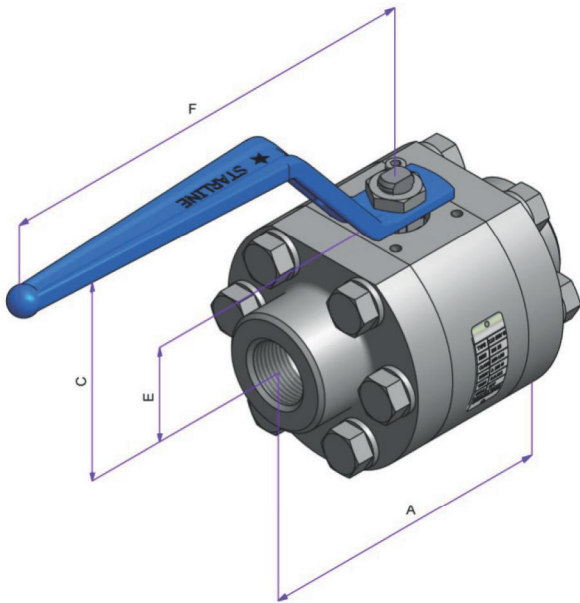
ITEM NO	QTY	PART NAME	NOMENCLATURE	CARBON STEEL MATERIAL 165 PGVG-CL900+2500	STAINLESS STEEL MATERIAL 166PGVG-CL900+ 2500
NP	1	Name plate	Plaque d'indentification	AISI 316	AISI 316
1	1	Handle	Levier	Carbon steel + Epoxy coated	Carbon steel + Epoxy coated
2a	2	Handle nut	Ecrou levier	AISI 316	AISI 316
2b					
3	1	Packing ring	Garniture	Graphite	Graphite
4	2 ^{Note1}	Spring washers	Rondelle ressort	AISI 316 Treated	AISI 316 Treated
5	1	Antistatic stem	Tige antistatique	AISI 316/316L Dual Certified	AISI 316/316L Dual Certified
6	1 ^{Note2}	Gland packing	Fouloir	AISI 316	AISI 316
7	1	Thrust washer	Rondelle butée	PTFE	PTFE
8	1	"O" ring stem	Joint torique	Viton	Viton
9	1	Ball	Sphère	AISI 316/316L Dual Certified	AISI 316/316L Dual Certified
10	2	Seats	Sièges	PEEK	PEEK
11	2	1° Body seals	1° Joint de corps	Viton	Viton
12	1	Body	Corps	LF2	AISI 316/316L Dual Certified
13	2	End connections	Embout	LF2	AISI 316/316L Dual Certified
14	1	Stop-pin	Butée	AISI 316	AISI 316
16	12	Bolts	Vis	L7 + Zinc Plated	B8
17	1	Stop washer	Rondelle frein	AISI 316	AISI 316
18	2	2° Body seals	2° Joint de corps	Graphite	Graphite
19	2	Seats gasket	Joint de sièges	Viton	Viton

Note 1: Qty 3 for DN25 - 1"

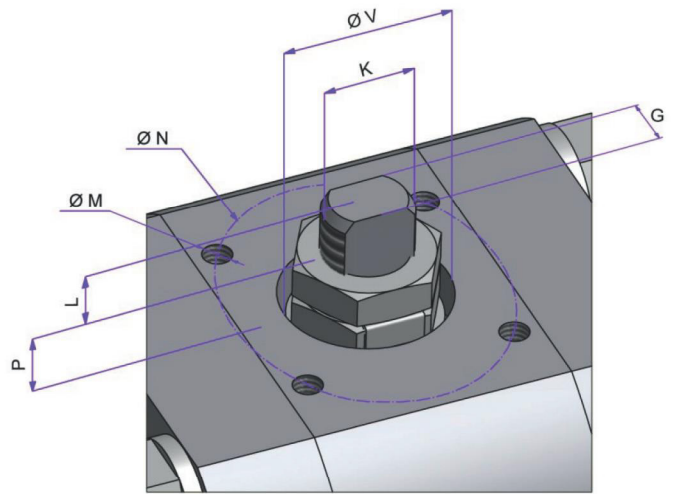
Note 2: Qty 2 for DN20 - 3/4"

Recommended 2 years spare parts / Remplacement des pièces préconisé après 2 ans d'utilisation

NPT-BSPP-BSPT



TOP VIEW

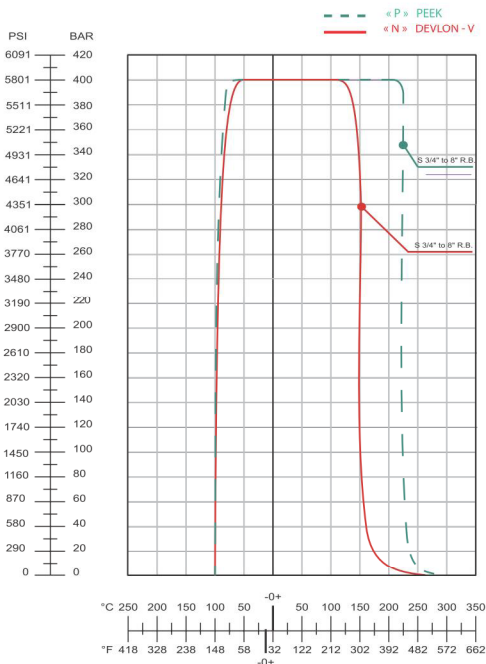


FULL BORE								TOP MOUNTING									
VALVE SIZE		DIMENSION [mm]					WEIGHT [kg]	DIMENSIONS [mm]						ISO 5211	TORQUE [N.m]	MAST [N.m]	
NPS	DN	A	BORE	C	E	F	NPT-BSPP-BSPT	L	P	V	K	G	N	M			
1/4" x 1/4"	08 x 08	100	11.1	98	30.5	172.5	2.5	5.9	6.7	23	M12x1.25	7.5	36	M5x8	F03	48	65
3/8" x 3/8"	10 x 10	100	11.1	98	30.5	172.5	2.5	5.9	6.7	23	M12x1.25	7.5	36	M5x8	F03	48	100
1/2" x 1/2"	15 x 15	100	11.1	98	30.5	172.5	2.5	5.9	6.7	23	M12x1.25	7.5	36	M5x8	F03	48	100
3/4" x 3/4"	20 x 20	127	15.5	106	41	172.5	4.8	5.6	6.4	23	M12x1.25	7.5	42	M5x8	F04	62	180
1" x 1"	25 x 25	140	21	113	46	218	6.6	11.2	8.2	28	M15x1.5	8.9	50	M6x10	F05	70	180

- Net torque mesured with clean water at ambient temperature

- Mast for AISI 316 material

PRESSURE/TEMPERATURE LIMITATION OF SEAT SEAL (according working conditions)



DIFFERENT CONFIGURATIONS (others on request)

